

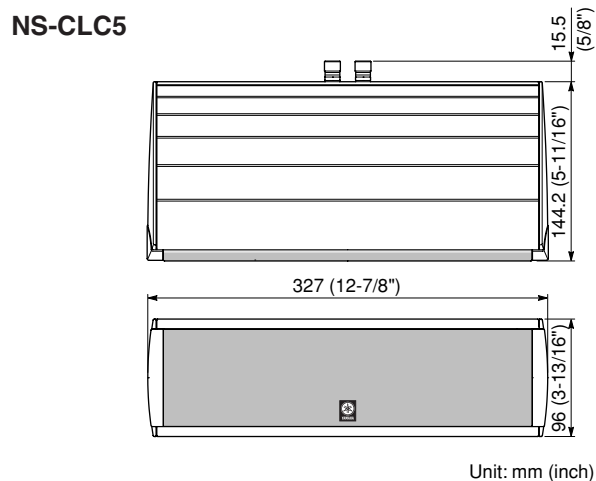
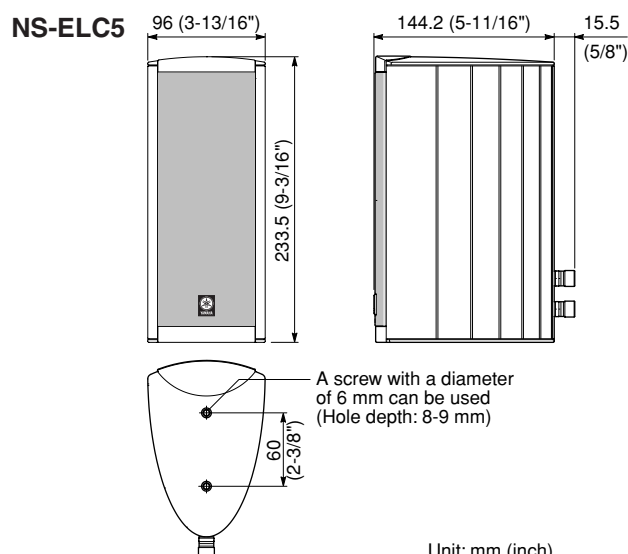
# HOME CINEMA CENTER & EFFECT SPEAKERS

# NS-PC5 (=NS-ELC5/NS-CLC5)

## SERVICE MANUAL

The NS-PC5 consists of 2 units of the NS-ELC5 and 1 unit of the NS-CLC5.

### ■ DIMENSIONS



### ■ SPECIFICATIONS

#### NS-ELC5

<b>Type</b> .....	2-Way Acoustic Suspension Speaker System Magnetic Shielding Type
<b>Drivers</b> .....	8 cm (3-3/16") Cone Woofer x 1 2.2 cm (7/8") Balanced Dome Tweeter
<b>Impedance</b> .....	6 ohms
<b>Frequency Response</b> .....	100 Hz–20 kHz
<b>Nominal Input Power</b> .....	20 W
<b>Maximum Input Power</b> .....	50 W
<b>Sensitivity</b> .....	84 dB/2.83 V/m
<b>Crossover Frequency</b> .....	7 kHz
<b>Dimensions (W x H x D)</b>	96 x 234 x 144 mm (3-13/16" x 9-3/16" x 5-11/16")
<b>Weight</b> .....	1.7 kg (3 lbs. 12 oz)
<b>Finish</b> .....	Silver Color

#### NS-CLC5

<b>Type</b> .....	2-Way Acoustic Suspension Speaker System Magnetic Shielding Type
<b>Drivers</b> .....	8 cm (3-3/16") Cone Woofer x 2 3 cm (1-3/16") Aluminum Dome Tweeter
<b>Impedance</b> .....	6 ohms
<b>Frequency Response</b> .....	80 Hz–20 kHz
<b>Nominal Input Power</b> .....	30 W
<b>Maximum Input Power</b> .....	100 W
<b>Sensitivity</b> .....	86 dB/2.83 V/m
<b>Crossover Frequency</b> .....	4 kHz
<b>Dimensions (W x H x D)</b>	327 x 96 x 144 mm (12-7/8" x 3-13/16" x 5-11/16")
<b>Weight</b> .....	2.5 kg (5 lbs. 8 oz)
<b>Finish</b> .....	Silver Color

\* Specifications subject to change without notice due to product improvements.



このサービスマニュアルは、エコマーク認定の再生紙を使用しています。  
This Service Manual uses recycled paper.

© 2005 YAMAHA CORPORATION All rights reserved.

100955

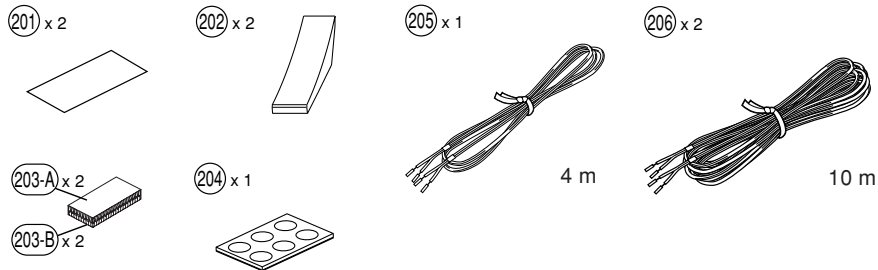
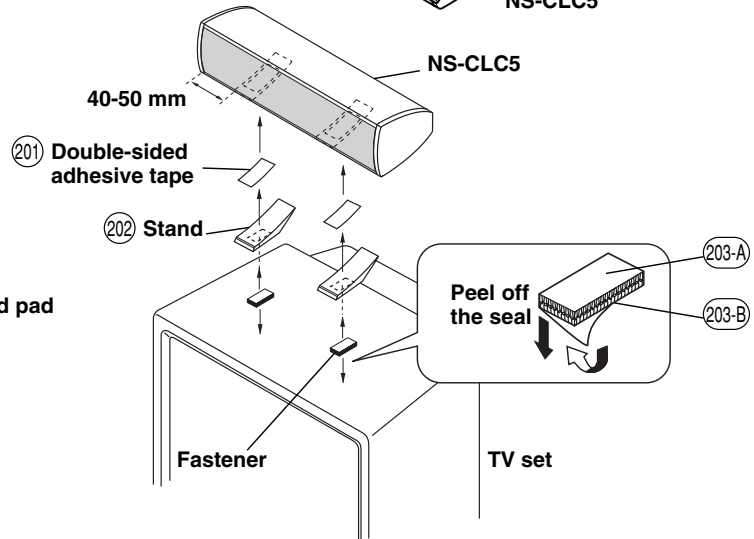
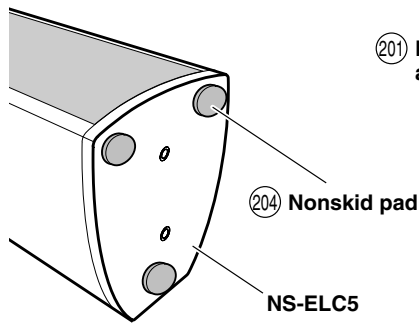
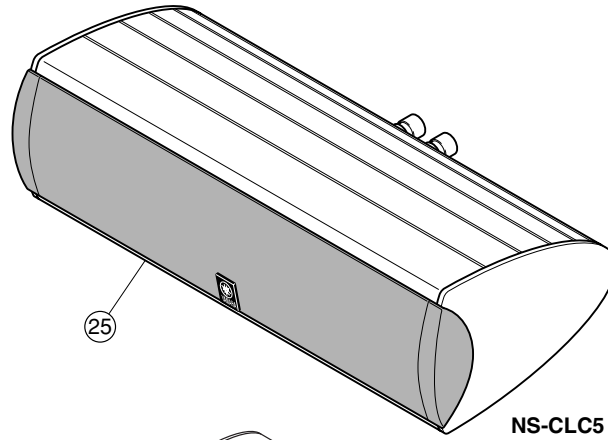
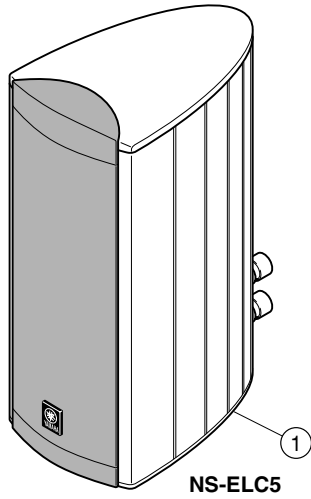


YAMAHA CORPORATION  
P.O.Box 1, Hamamatsu, Japan

'05.05

■ EXPLODED VIEW

NS-ELC5 and NS-CLC5 require replacement as a unit.  
Individual replacement parts will not be supplied.



Ref. No.	Part No.	Description	Remarks	Markets
1	AAX70860	SPEAKER FINAL ASS'Y	NS-ELC5 Silver	ASL5U0PC5-BY01
25	AAX70850	SPEAKER FINAL ASS'Y	NS-CLC5 Silver	ASL5C0PC5-BY01
		ACCESSORIES		
201	WF165400	DOUBLE SIDED ADHESIVE TAPE	80x25 1pc	
202	AAX69960	STAND	1pc	BPH500062-0001
203-A	WF165200	FASTENER A	40x25 1pc	
203-B	WF165300	FASTENER B	40x25 1pc	
204	AAX69970	NONSKID PAD	M10 t1 6pcs/set	DUF512003-0003
205	WF164700	SPEAKER CABLE	4m 1pc	
206	WF164800	SPEAKER CABLE	10m 1pc	

\*: New Parts